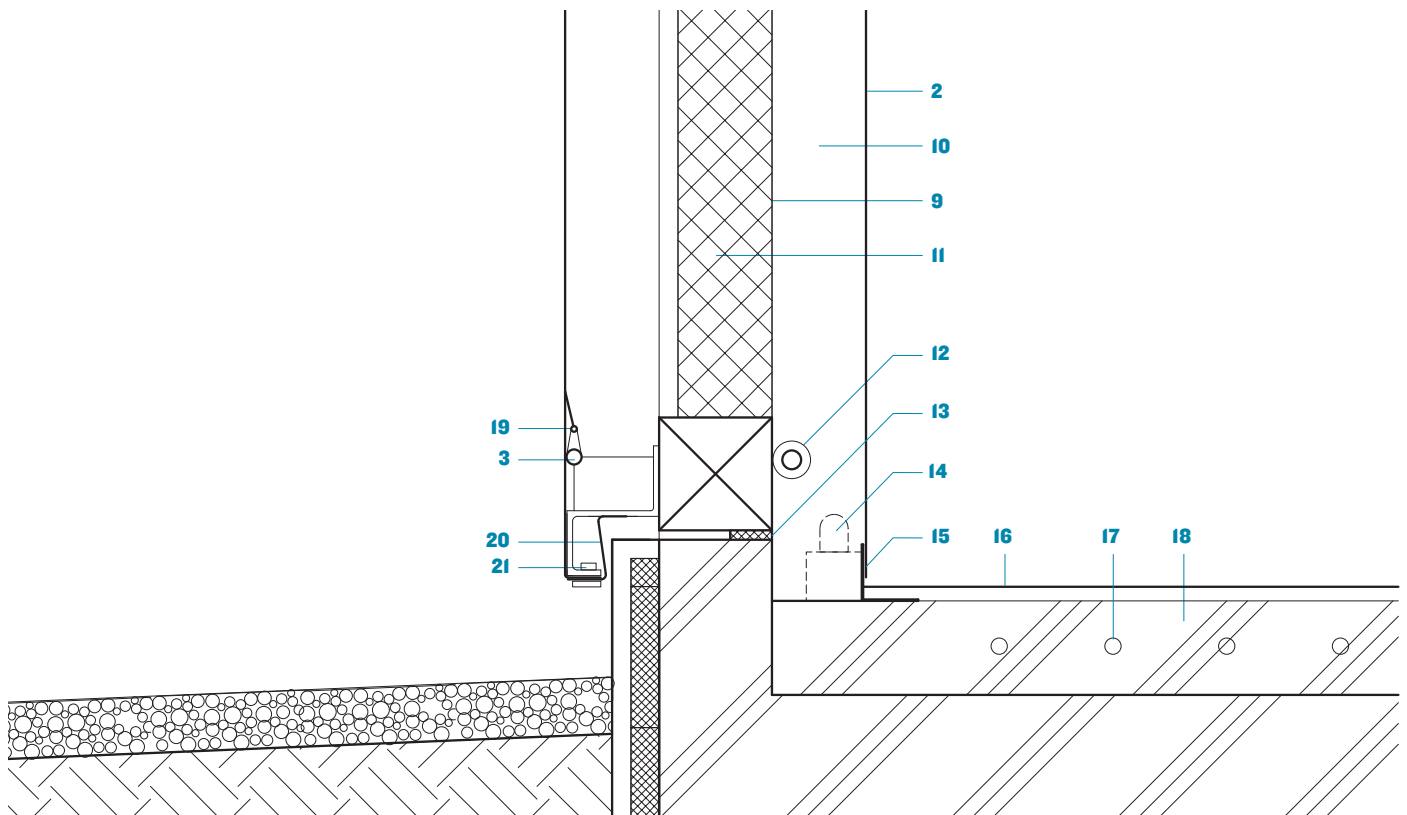


- 1 membrane
- 2 glass-fibre cloth
- 3 steel rebar
- 4 fixing batten
- 5 aluminium frame
- 6 shade
- 7 timber window frame
- 8 sealant
- 9 polyethylene sheet
- 10 timber glazing bar
- 11 100mm polyester insulation
- 12 hole for hot water pipe
- 13 polyurethane foam filling
- 14 light fitting
- 15 synthetic resin skirting board
- 16 straw mat floor
- 17 hot water pipe
- 18 reinforced concrete
- 19 flat rope
- 20 insect protection net
- 21 welded nut



detailed section through external wall